



Paulmann

**Safety Instructions**  
1, 2, 3, 4, 10, 24, 33, 34

**Info**  
[www.paulmann.com](http://www.paulmann.com)

Paulmann Licht GmbH  
Quezinger Feld 2  
31832 Springe  
Germany  
[www.paulmann.com](http://www.paulmann.com)

Art.-Nr.: **941.97**  
(+MA 0326) PTL 01/18

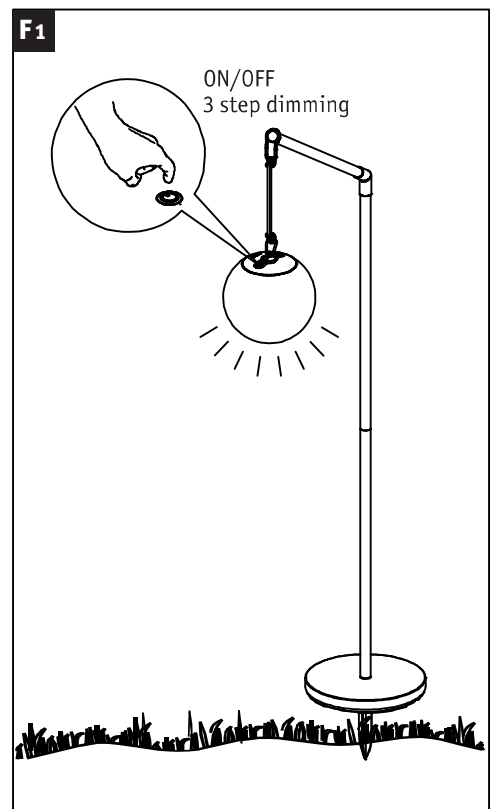
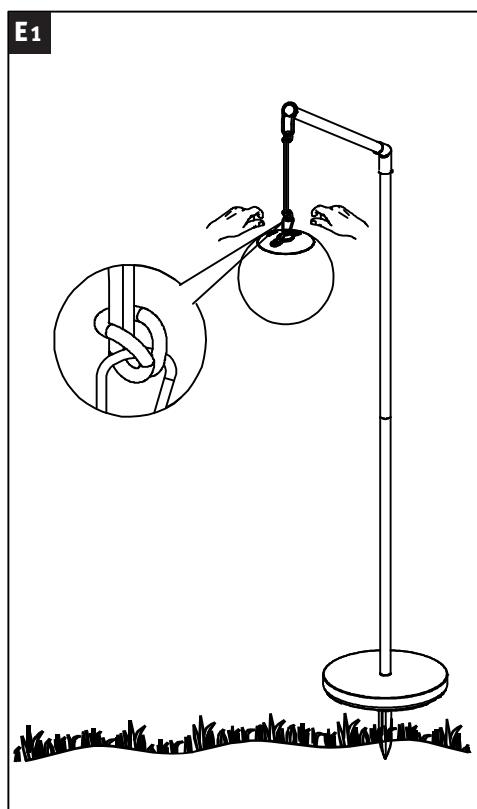
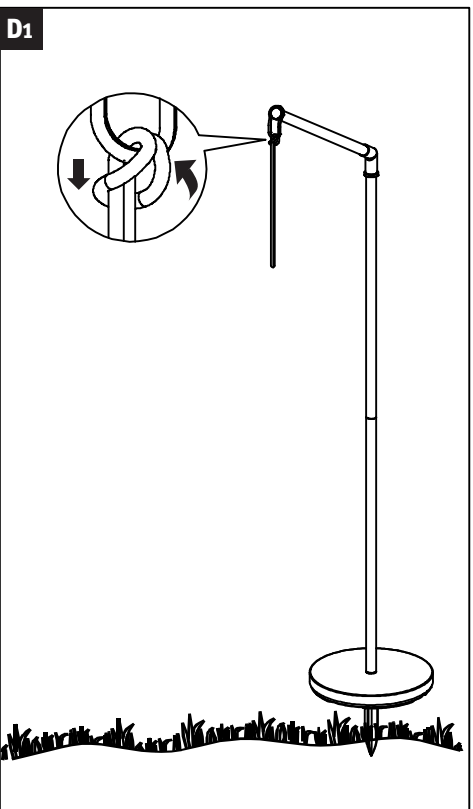
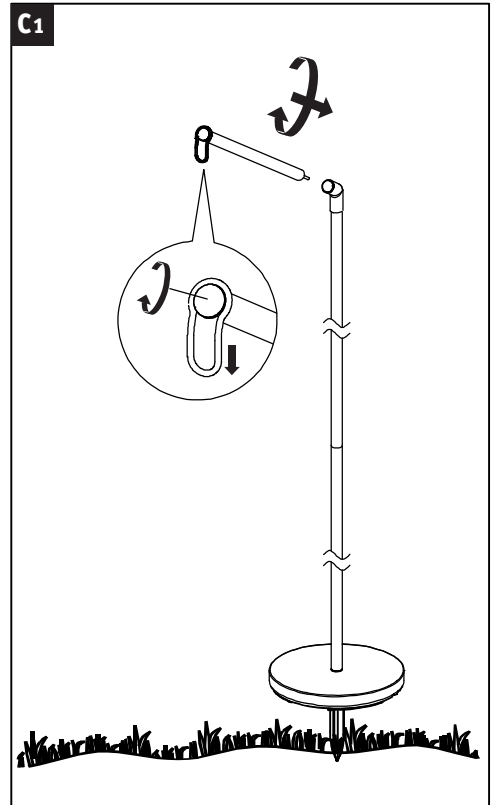
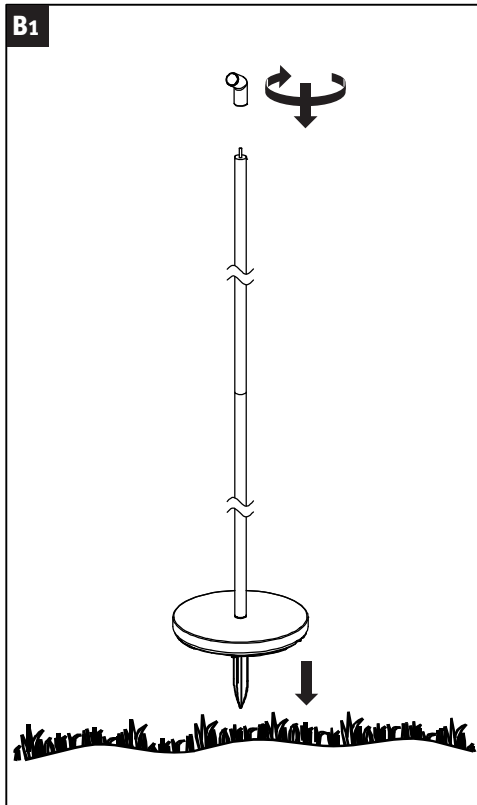
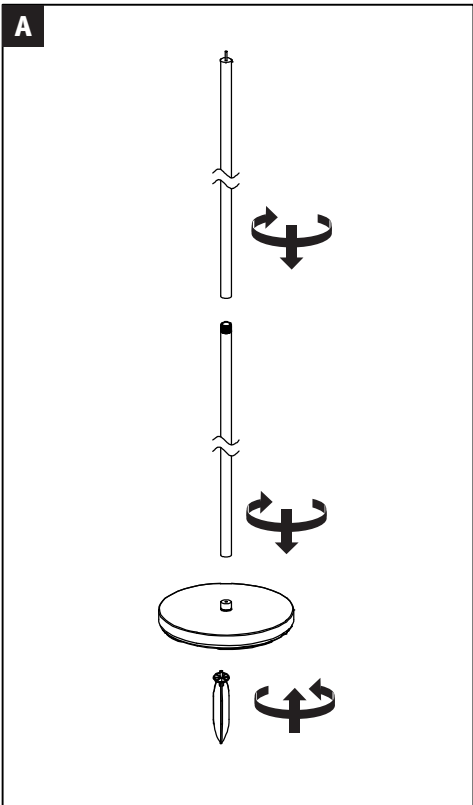
**941.99**

not incl. **IP65**

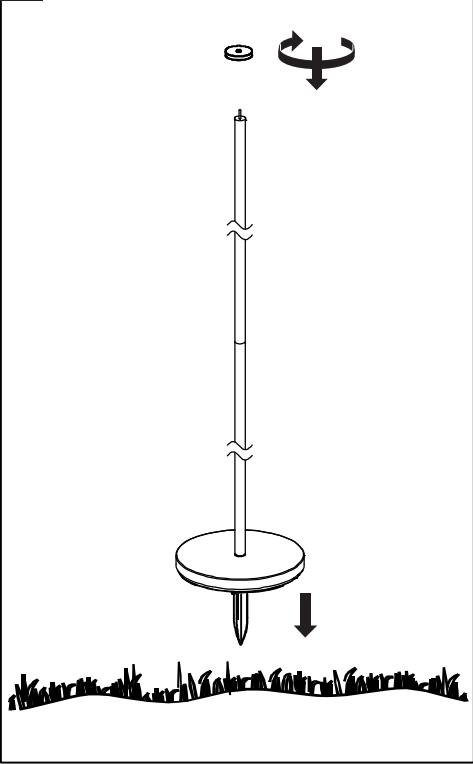
Paulmann  
Art.-Nr. 941.99

1x 1x 1x 1x 1x 1x

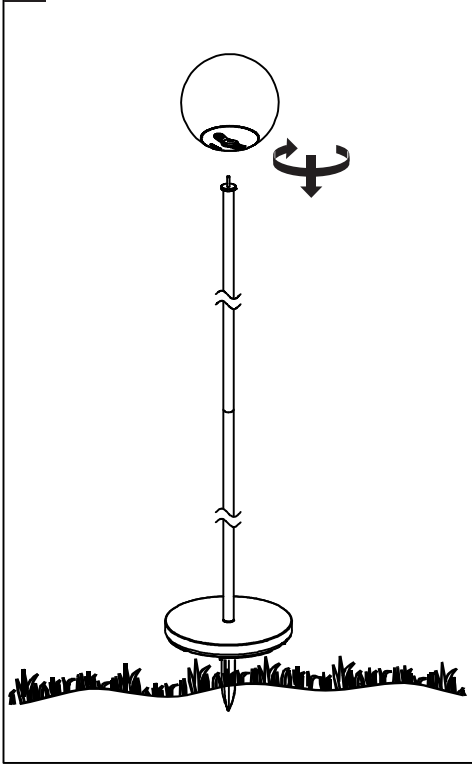
**CE**



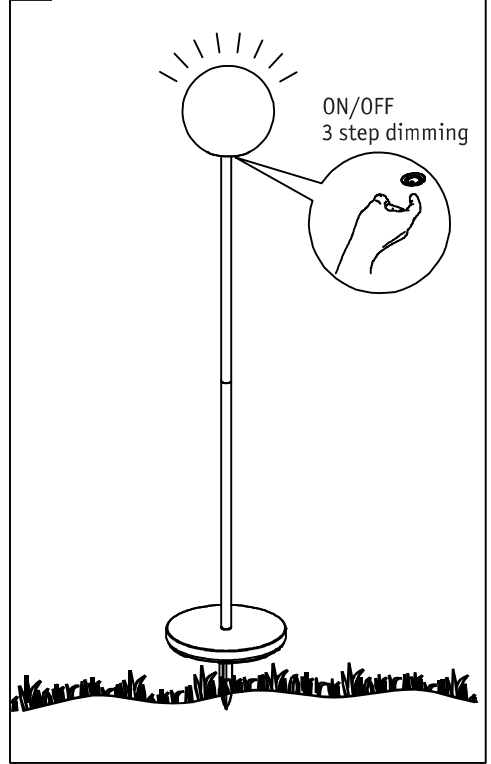
B2



C2



D2



E2

