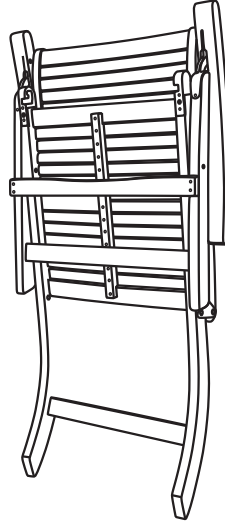


ASSEMBLY INSTRUCTIONS

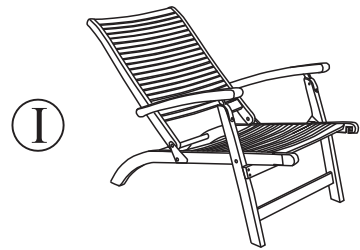
PI/2018



1

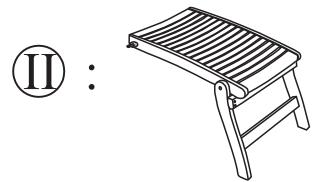
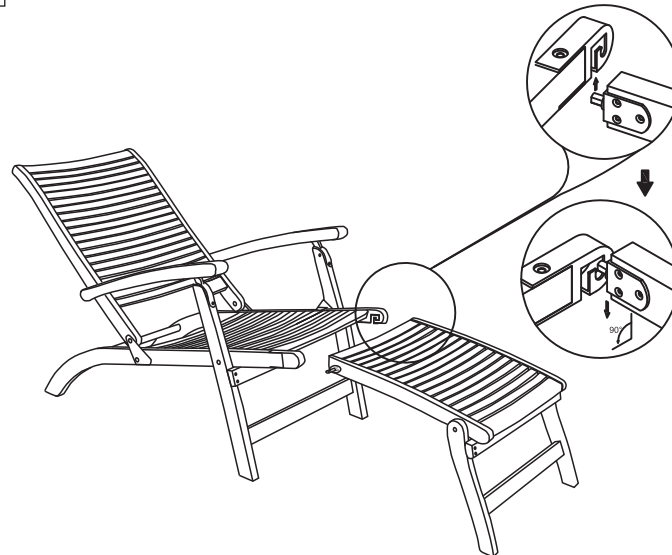


2



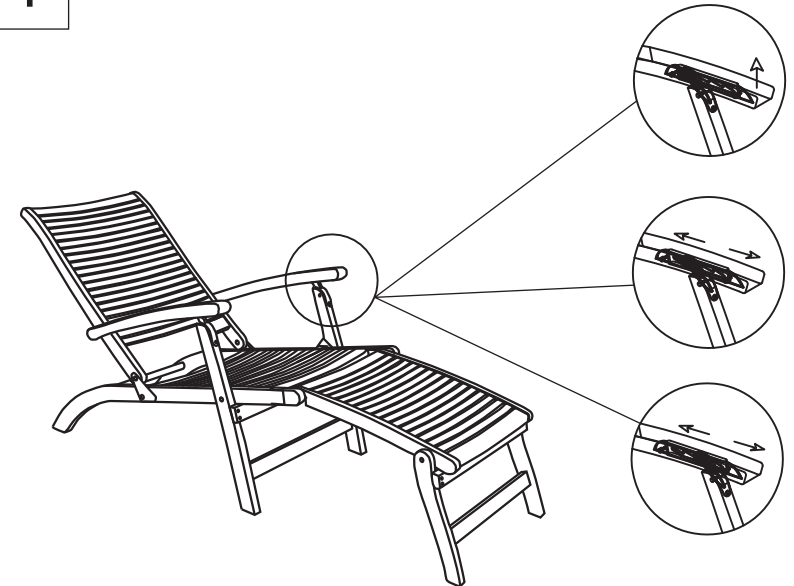
1PCS

3



1PCS

4



HARDWARE



2PCS