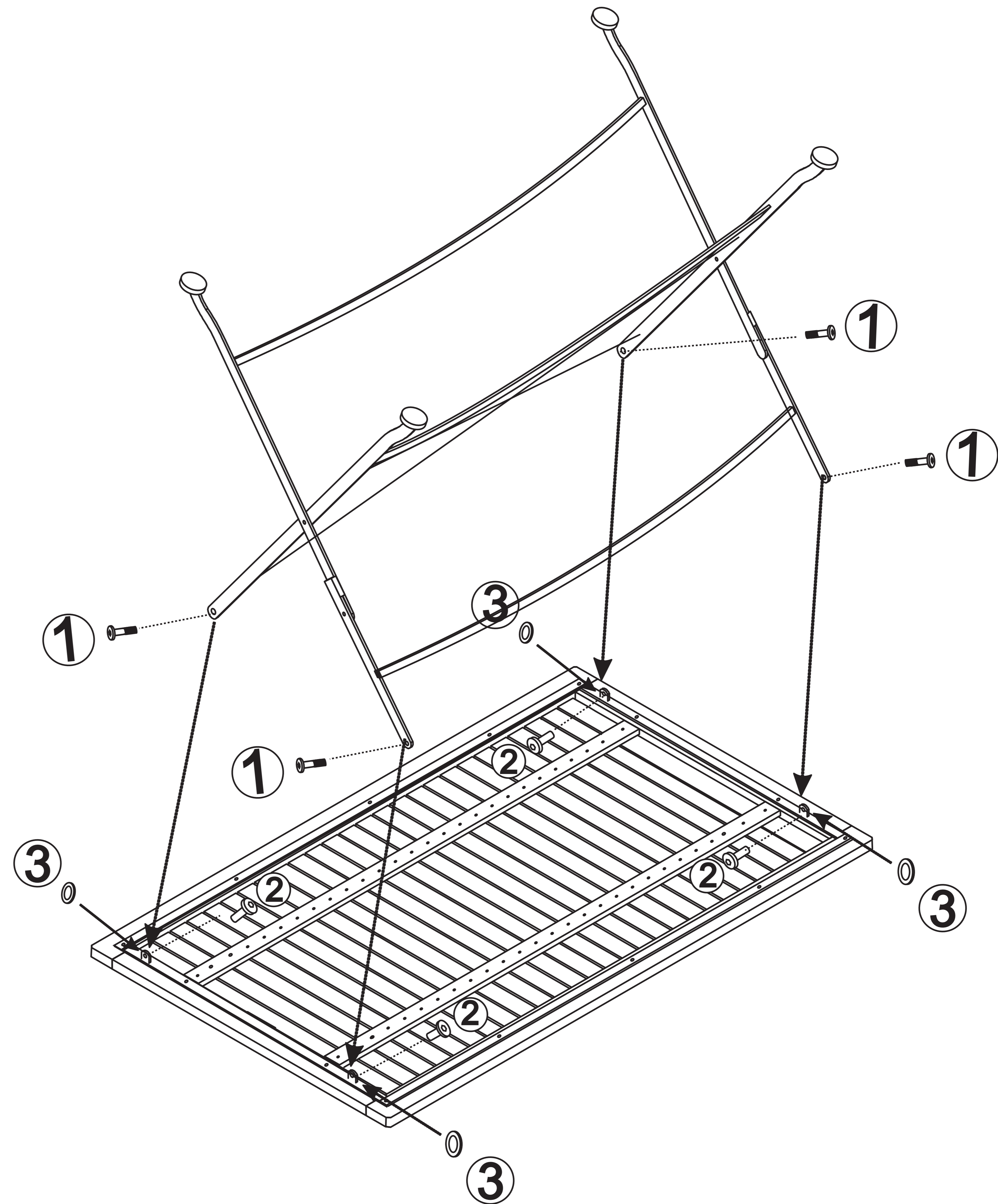


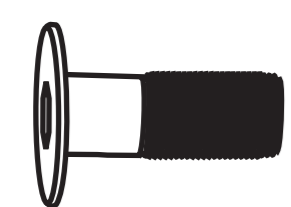
ASSEMBLY INSTRUCTIONS

PI/2018



HARDWARE

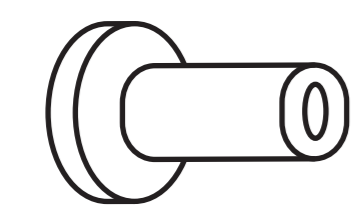
1



M6x10mm

4pcs

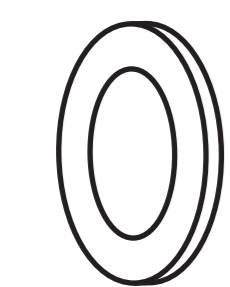
2



M6x13mm

4pcs

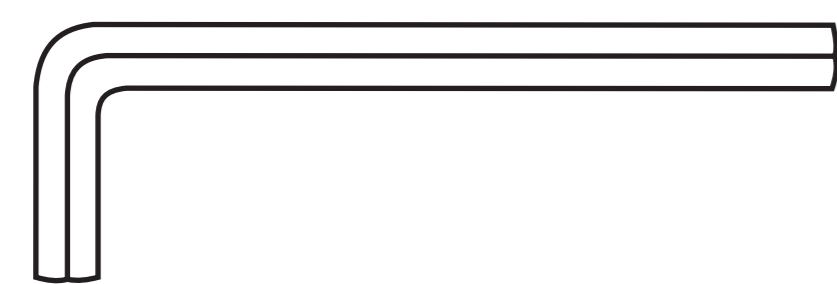
3



M9.5x20x3mm

4pcs

4



2pcs