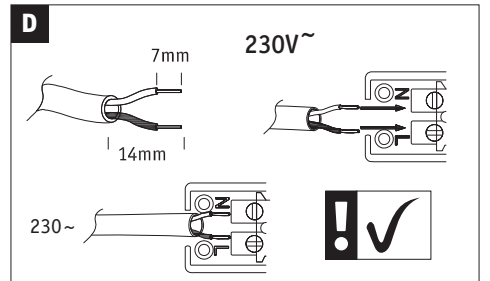
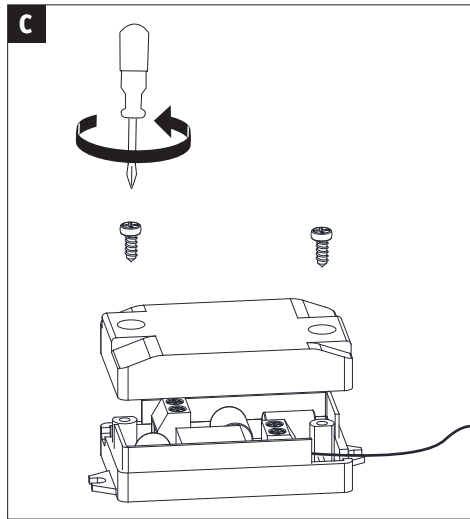
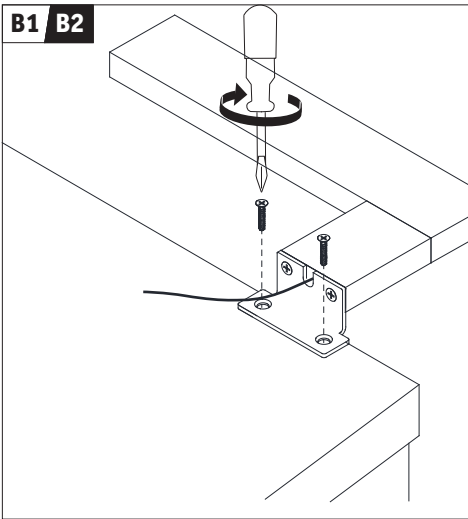
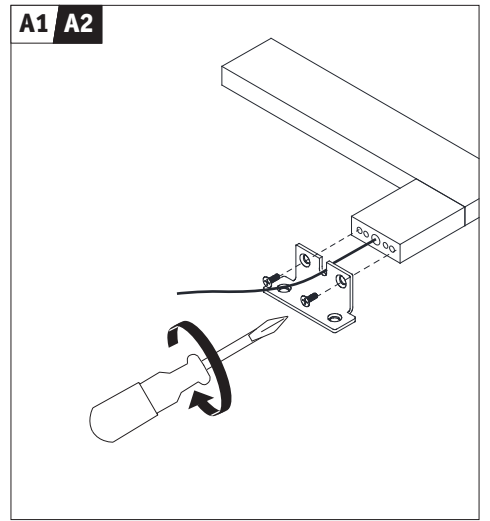
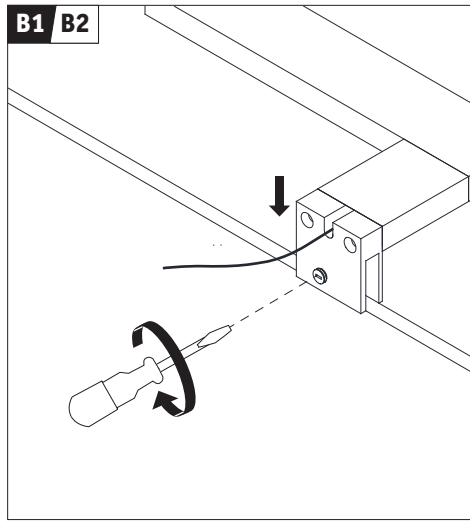
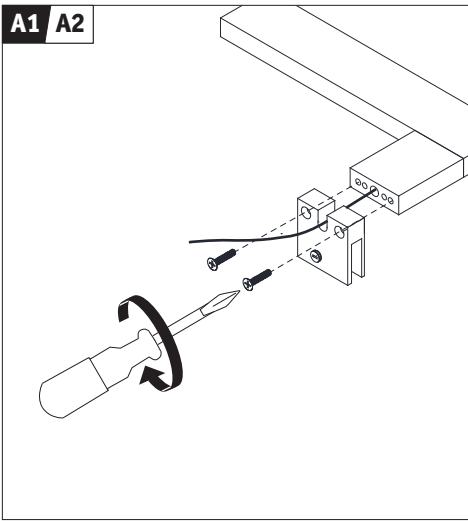
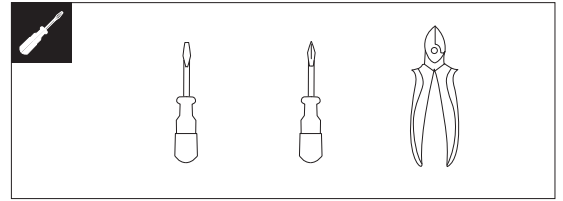
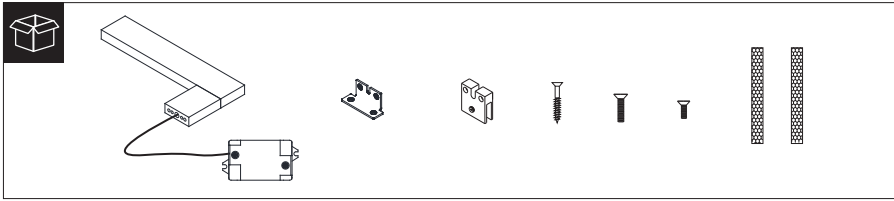


Art.-Nr.: 990.89

(+ MA 173) PAU 04/16



Safety Instructions
 Nr.0, 1, 4

on

IP44

www.paulmann.com/
 IP-protection/all

